

RECORD ROAD GROUP	pages 30-31
RECORD GEAR - RECORD FRONT CHANGER AND ALTERNATIVE RECORD CONTROL LEVERS	pages 32-33-34-35
RECORD ROAD HUBS	page 36
RECORD AND SUPERLIGHT RECORD ROAD PEDALS	page 37
ROAD RECORD CHAINWHEEL SET AND BOTTOM BRACKET SET	pages 38-39
RECORD ROAD HEAD SET - RECORD SEAT PIN	page 40
FORK ENDS - SPECIAL CONNECTORS	page 41
RECORD BRAKES	pages 42-43

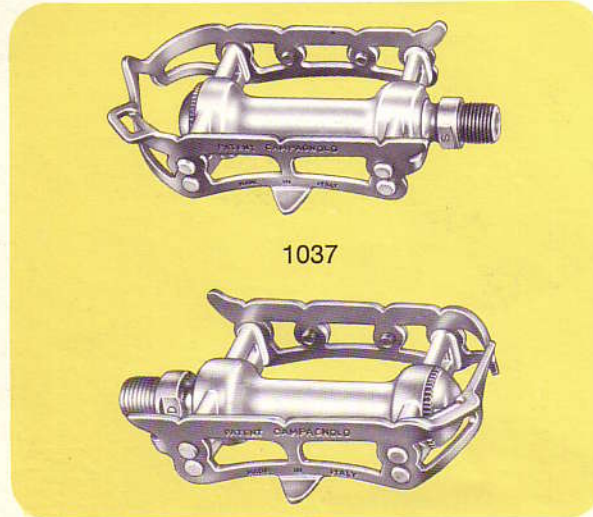
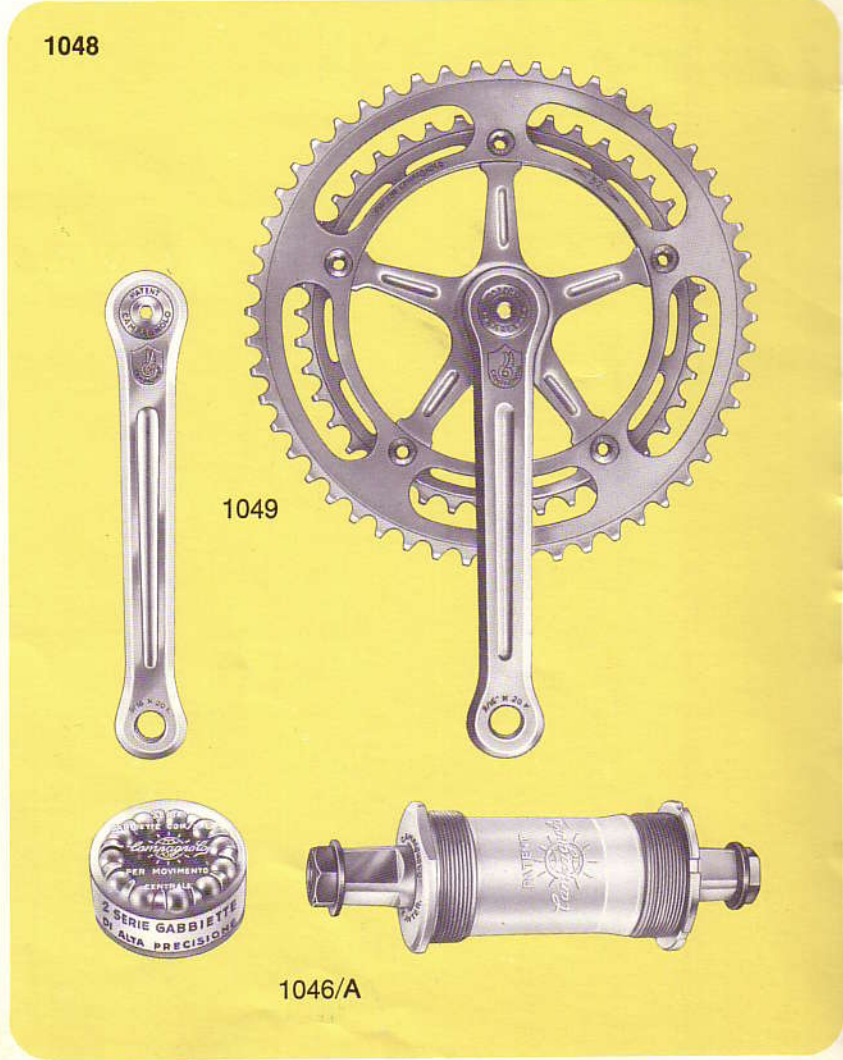
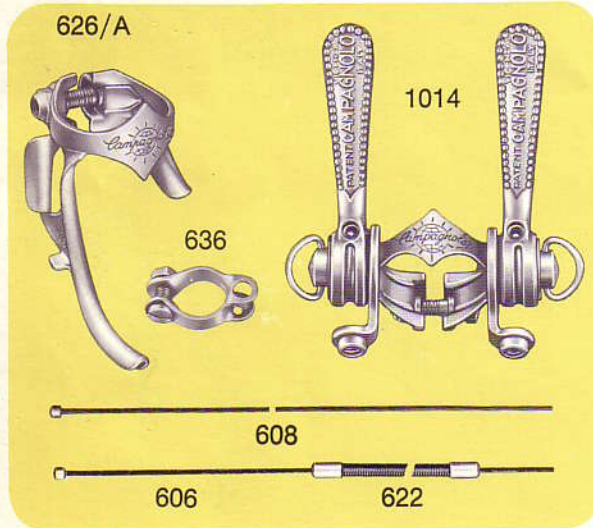
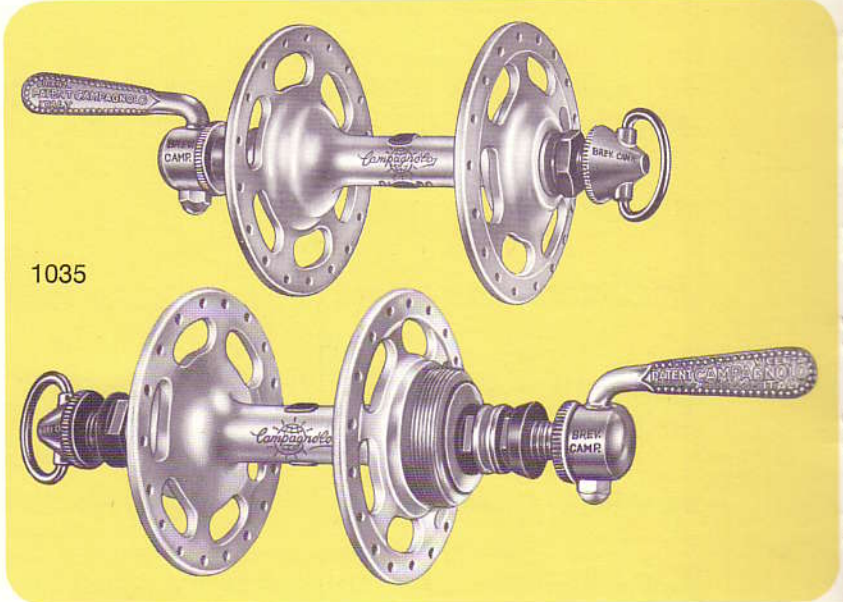
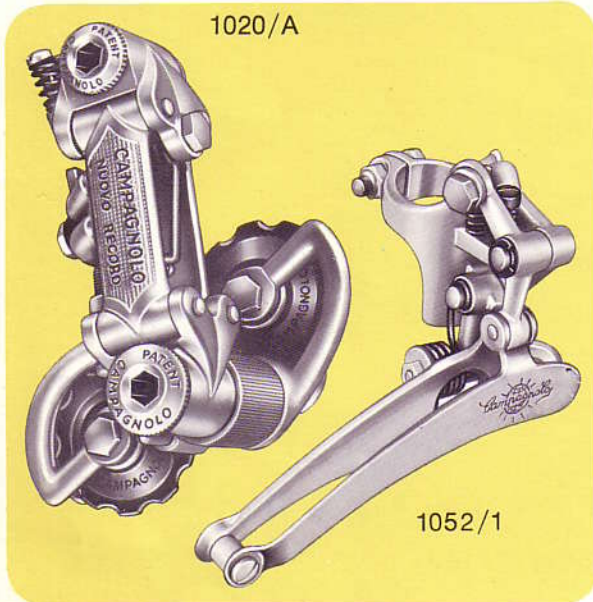
1032/F CAMPAGNOLO RECORD ROAD GROUP

(Particular components of this group are illustrated from page 32 to page 43)



- 606 Down tube control gear inner wire (118 cm.)
- 608 Down tube control front changer inner wire (72 cm.)
- 622 Gear stainless steel outer casing (21 cm.)
- 626/A Twin gear cable clip
- 636 Chainstay clip
- 649 Stainless steel brake cable clip
- 1010/A Set Record front and rear fork ends without eyelet.
See alternatives on page 41
- 1014 Twin down tube control lever.

- 1020/A See alternatives on pages 34-35
Nuovo Record gear (without hanger)
- 1030/2 Pump connector (thread M9 x 1,25). Any pump connectors shown on page 41 can be supplied instead
- 1035 Pair Record large flange quick release road hubs (front width 100 mm., rear width 120 mm., flanges with 36 holes, thread Ø 35 x 24F.). Upon request are furnished with rear hub suitable



for 6 sprockets, width 125 mm., flanges with 24 - 28 - 32 - 40 holes, thread \varnothing 34.7 x 1M. or \varnothing 1.370" x 24 Tpi-BSC. See other alternatives on page 36

1037 Pair Record road pedals with steel spindle (spindle thread \varnothing 9/16" x 20F.). Upon request furnished spindles threaded M.14 x 1,25

1039 Record road head set (thread 25,4 x 24F.). Upon request furnished with thread

1044 \varnothing 25 x 1M. or 1" x 24 Tpi-BSC Seat pin. Specify diameter stem: 25 - 25,8 - 26 - 26,2 - 26,4 - 26,6 - 26,8 - 27 - 27,2 - 27,4 mm. and if pin length in 130 mm. normal or in 180 mm. long

1046/A Nuovo Record bottom bracket set (bracket width 70 mm. and cups threaded \varnothing 36 x 24F.). See alternatives on pages 38-39

1048 Record road chainwheel set with Nuovo Record bottom bracket

1049 Record road chainset (with crank 170 mm. pedal hole \varnothing 9/16" x 20F. and chainrings for chain 1/2" x 3/32" [2 mm.]). Specify the number of teeth of the chainrings available from 42T to 57T. Upon request furnished cranks with lengths 165 - 167,5 - 172,5 - 175 - 177,5 and 180 mm.

1052/1 Record front changer

2040 Set Record brakes. See alternatives on pages 42-43



1039



1044



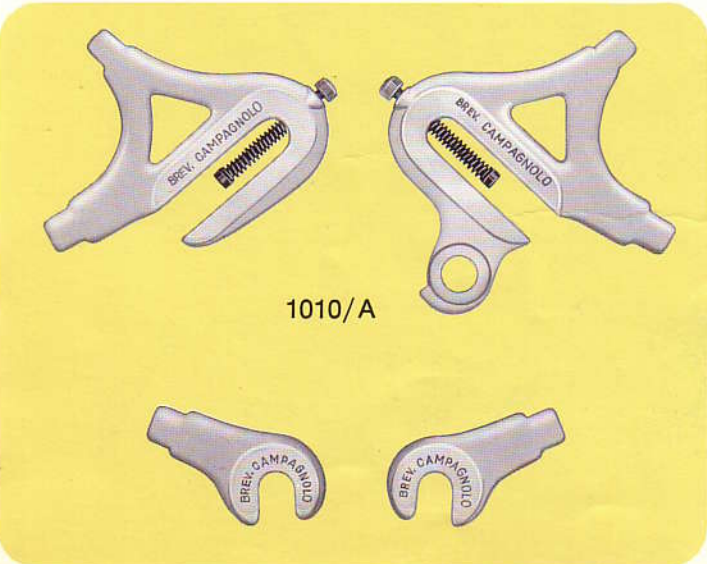
649

649

649



1030/2



1010/A

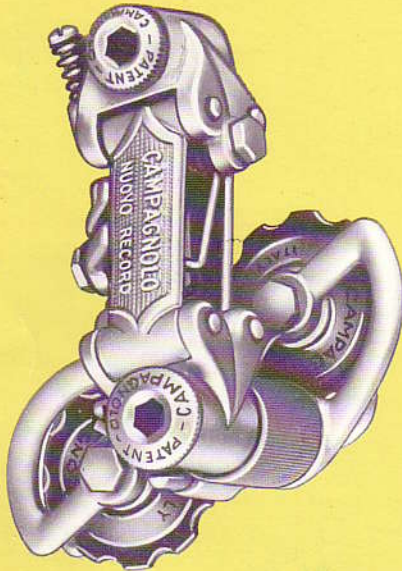


2040

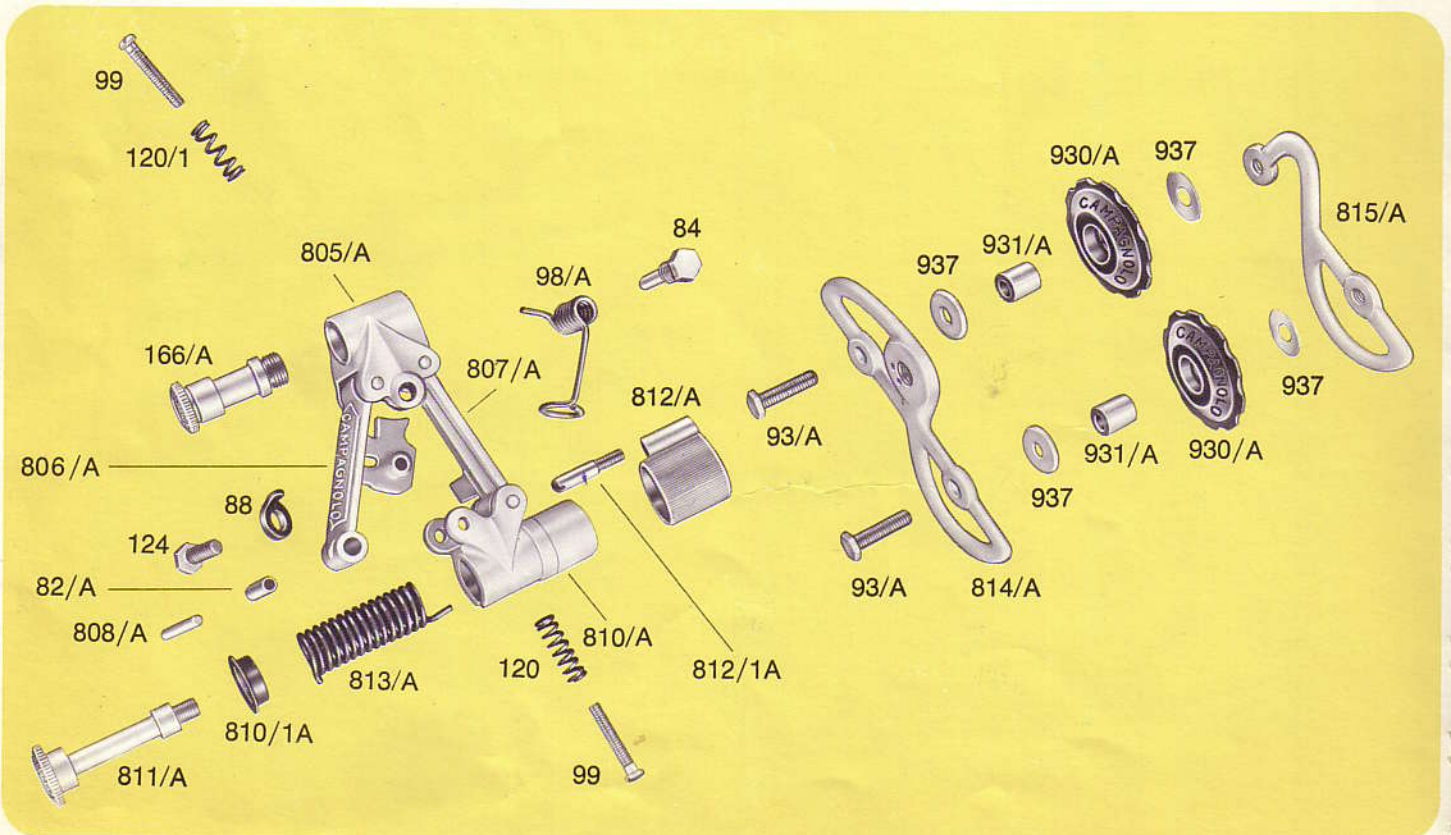
PARTICULAR COMPONENTS OF CAMPAGNOLO RECORD ROAD GROUP 1032/F

- 1020/A Nuovo Record gear
- 82/A Body ferrule
- 84 Gear return spring screw
- 88 Clamp washer
- 93/A Sprocket bolt
- 98/A Gear return spring
- 99 Gear adjusting screw
- 120 Lower adjuster spring
- 120/1 Upper adjuster spring
- 124 Fixing screw
- 166/A Upper pivot bolt
- 805/A Upper body
- 806/A Front arm

- 807/A Inner arm
- 808/A Spindle
- 810/A Lower body
- 810/1A Lower body bush
- 811/A Gear spring bolt
- 812/A Spring cage cover
- 812/1A Grub screw
- 813/A Tension spring
- 814/A Outer cage plate
- 815/A Inner cage plate
- 930/A Roller
- 931/A Roller bush
- 937 Roller dust cover



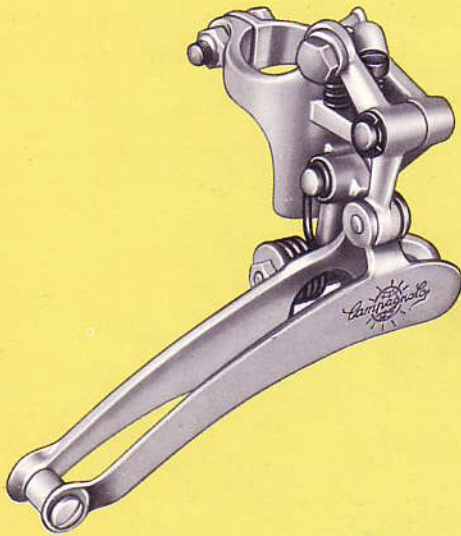
1020/A



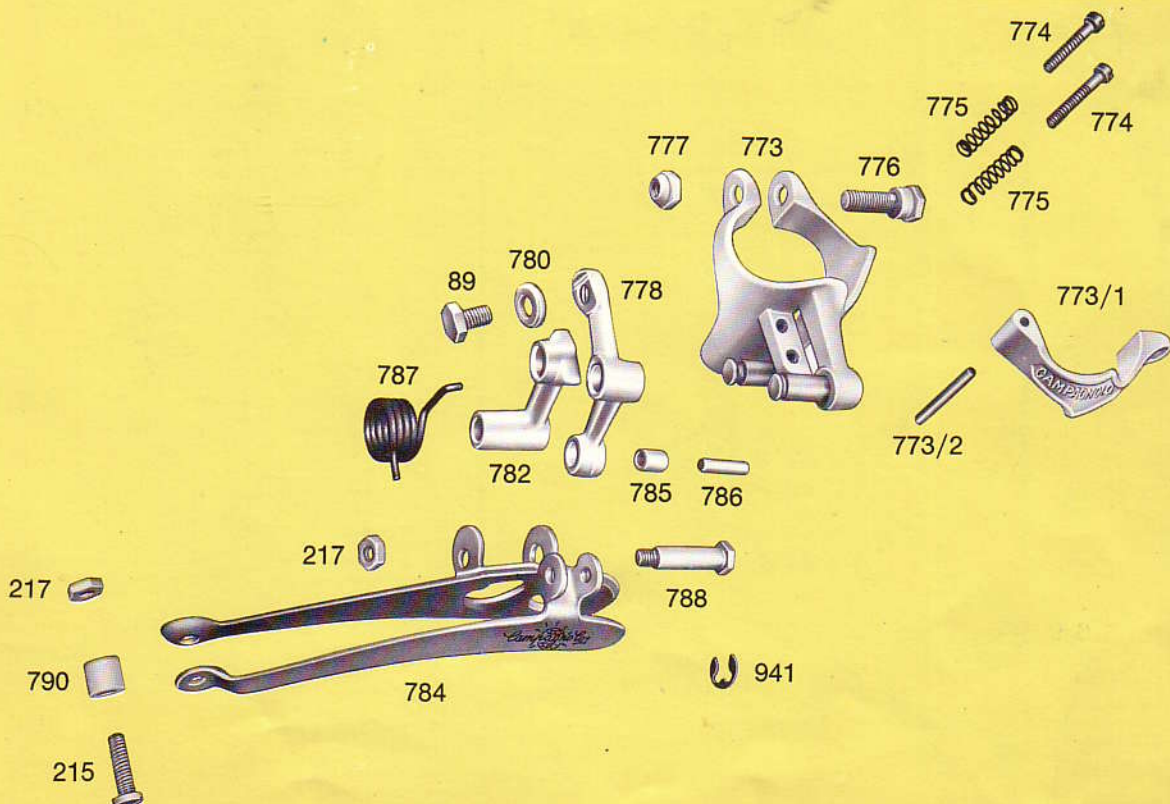
PARTICULAR COMPONENTS OF CAMPAGNOLO RECORD ROAD GROUP 1032/F

- 1052/1 Record front changer
- 89 Locking screw
- 215 Cage spacing bolt
- 217 Cage spacer bolt nut
- 773 Record front changer body (complete with clip and hinge)
- 773/1 Hinge
- 773/2 Hinge pin
- 774 Adjusting screw
- 775 Adjusting bolt spring
- 776 Clip fixing screw

- 777 Nut
- 778 Upper arm
- 780 Cable clamp bolt washer
- 782 Lower arm
- 784 Front changer cage
- 785 Ferrule for front changer cage
- 786 Spindle for front changer cage
- 787 Front changer return spring
- 788 Cage shank bolt
- 790 Bush
- 941 Circlip



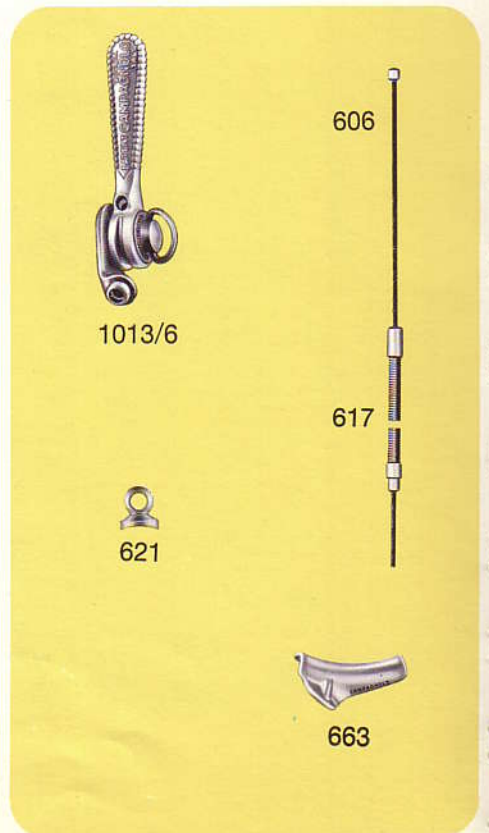
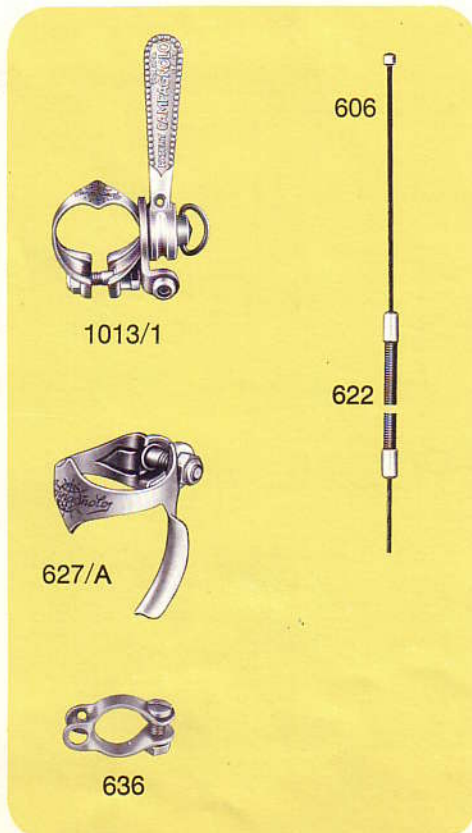
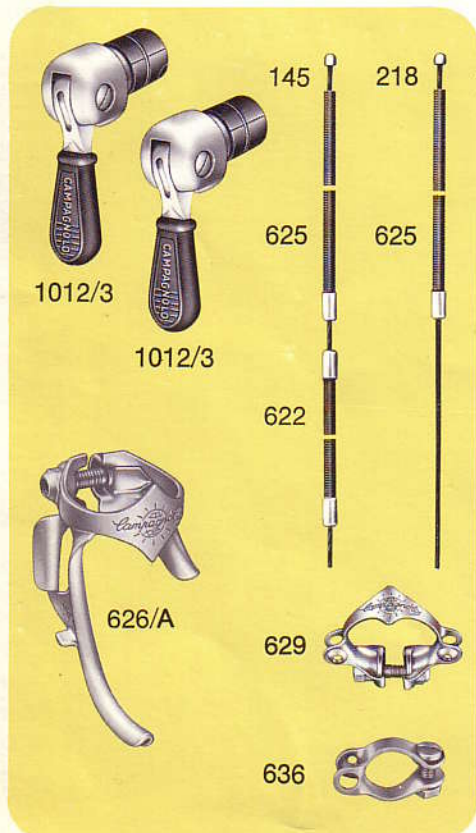
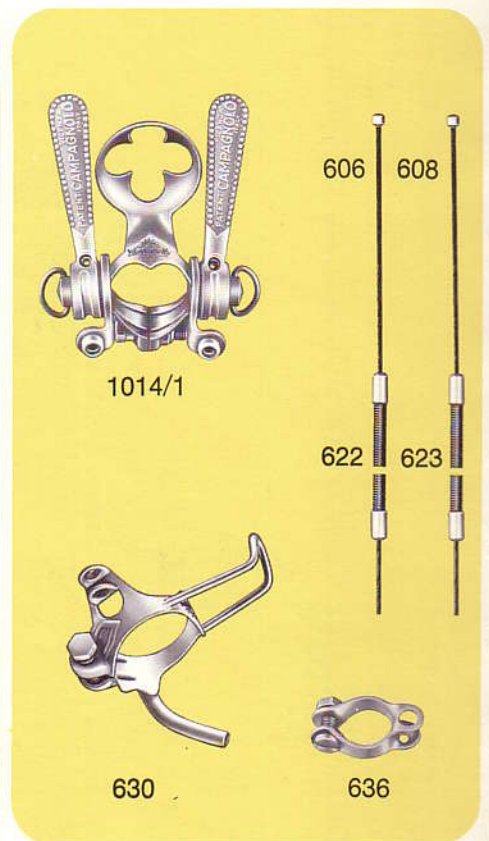
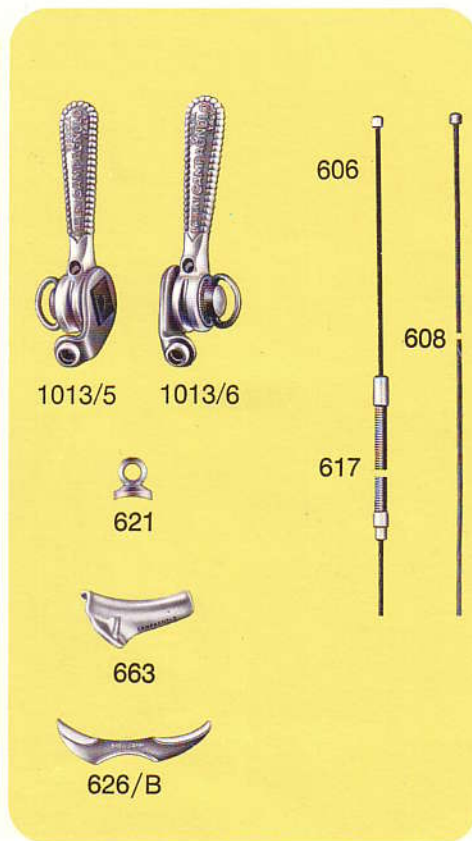
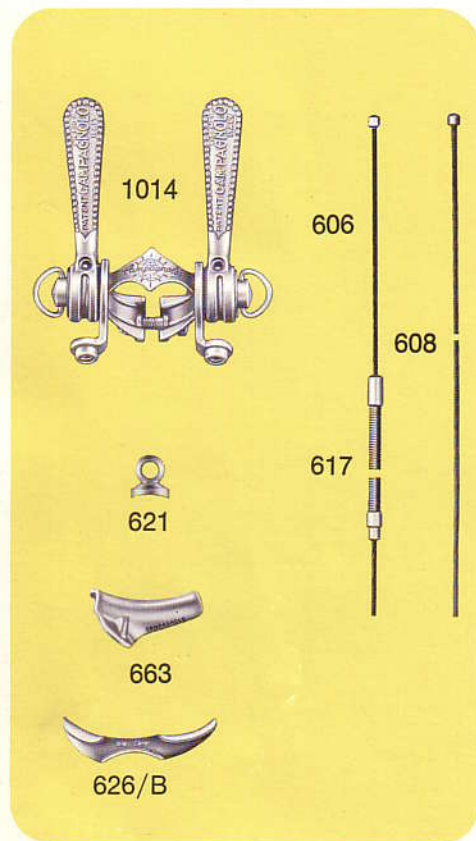
1052/1



PARTICULAR COMPONENTS OF CAMPAGNOLO RECORD ROAD GROUP 1032/F

- 137 Segment expanding screw
- 138 Segment
- 139/1 Counter-nut
- 139/2 Hexagonal screw
- 140/1 Tension adjusting screw
- 142 Spring segment holder
- 145 Gear cable to handlebar control (197 cm.)
- 173 Handlebar lever rubber
- 174 Handlebar friction plate
- 174/1 Lever friction plate
- 200/2 Handlebar control body
- 201 Handlebar lever

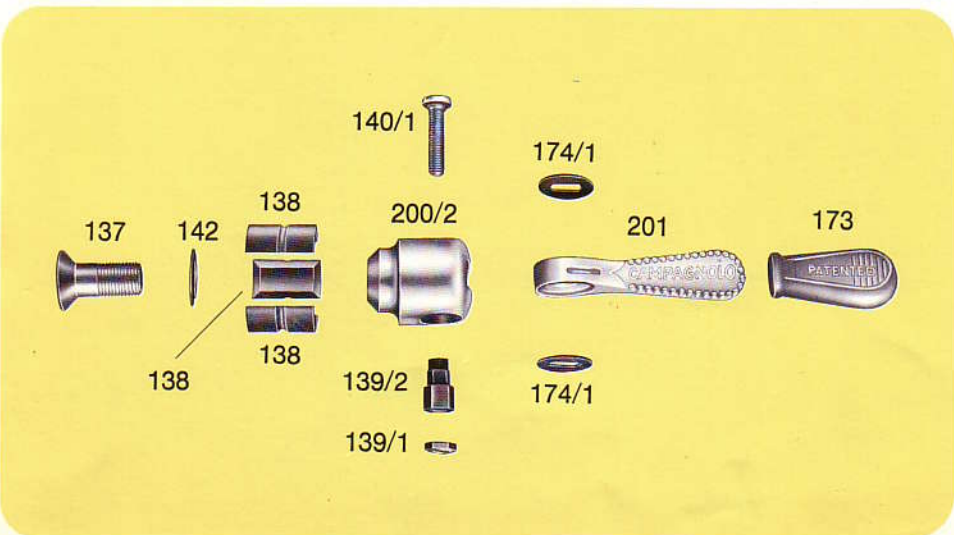
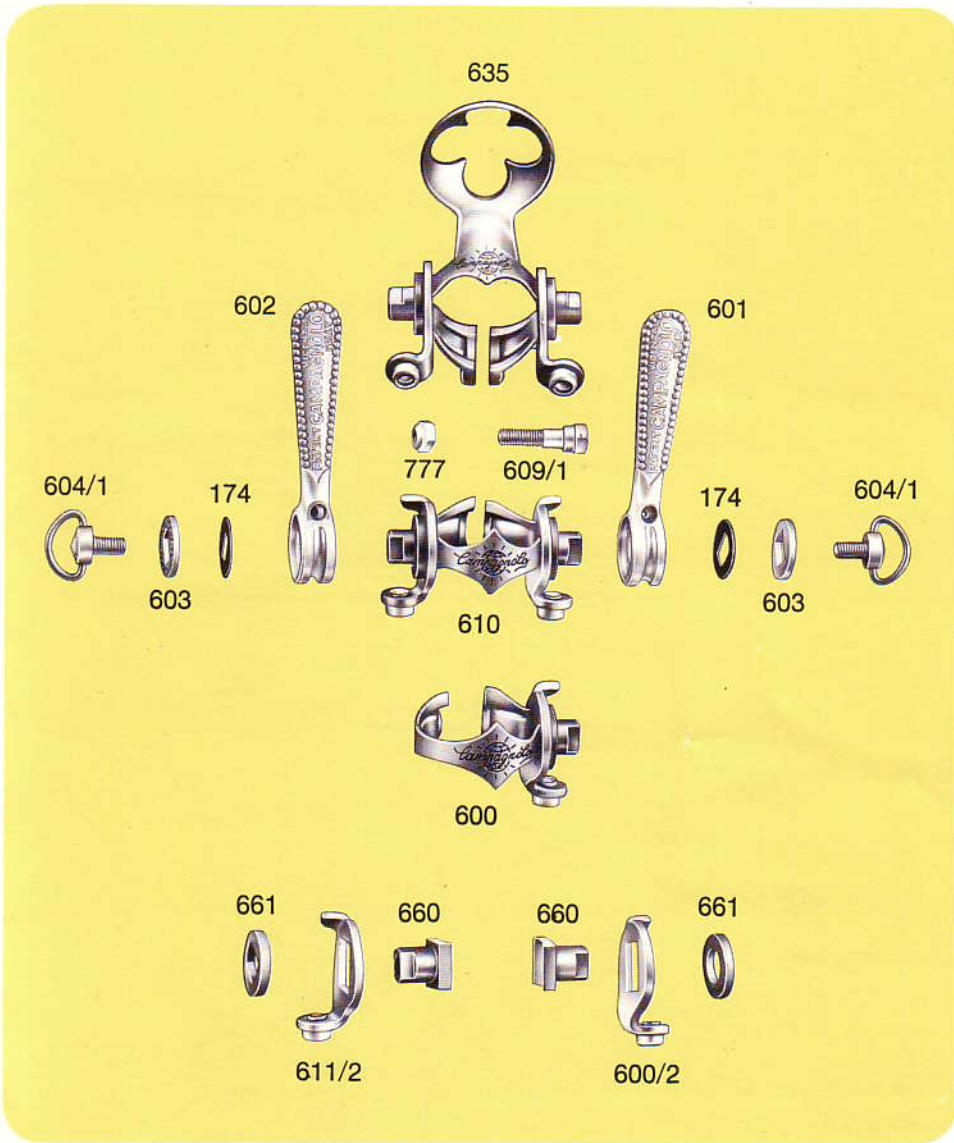
- 218 Front changer cable to handlebar control (150 cm.)
- 600 Right hand collar (without screw and nut)
- 600/2 Right hand braze-on control lever plate
- 601 Gear control lever only
- 602 Front changer control lever only
- 603 Cover plate
- 604/1 Friction adjusting wing nut
- 606 Down tube control gear inner wire (118 cm.)



- 608 Down tube control front changer inner wire (72 cm.)
- 609/1 Fixing clip bolt
- 610 Record twin control clip
- 611/2 Left hand braze-on control lever plate
- 617 Braze-on gear stainless steel outer casing (21 cm.)
- 621 Braze-on cable stop
- 622 Gear stainless steel outer casing (21 cm.)
- 623 Front changer stainless steel

- 625 outer casing (15,5 cm.)
Stainless steel outer casing to down tube handlebar control (75 cm.)
- 626/A Twin gear cable clip
- 626/B Braze-on cable ferrule
- 627/A Down tube tunnel R/H for gear
- 629 Twin handlebar control clip
- 630 Clip-on-tunnel and stop with pump holder D/T
- 635 Pump holder twin control Record lever bosses

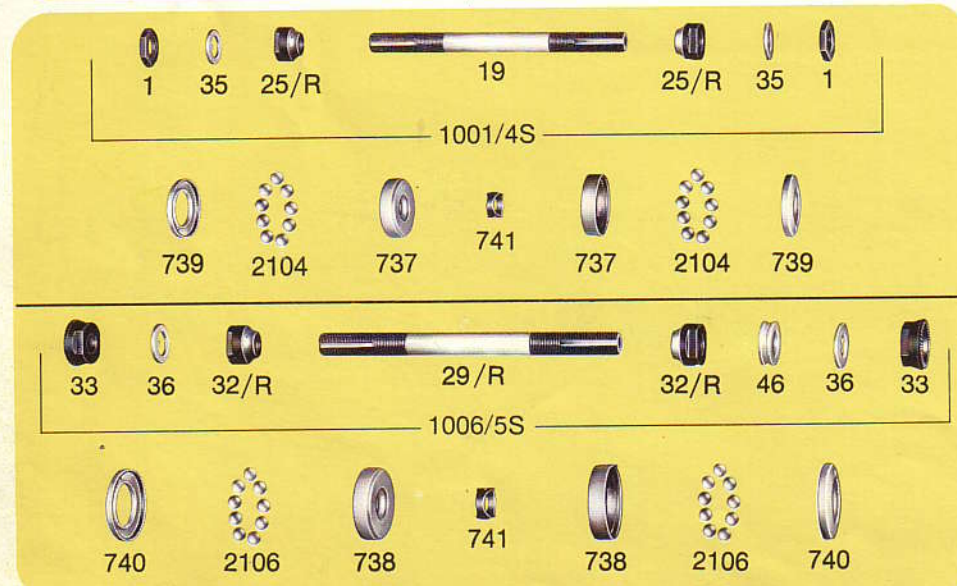
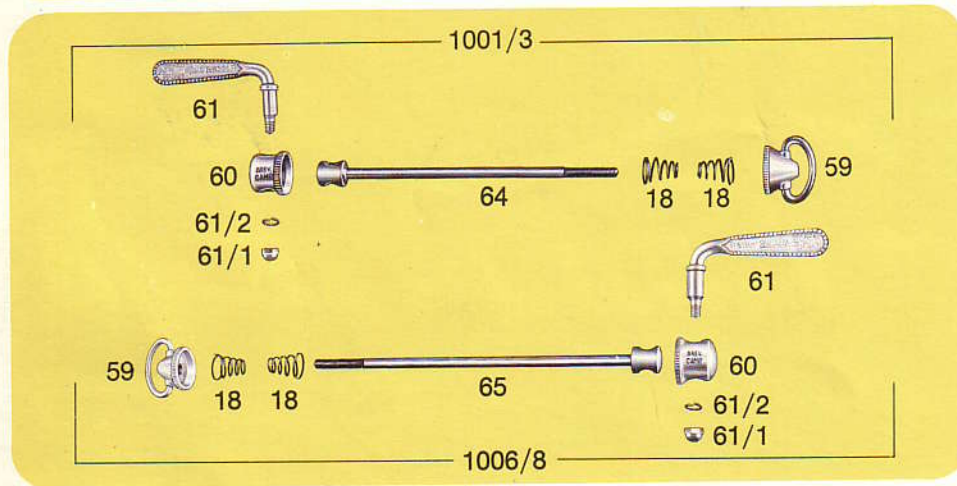
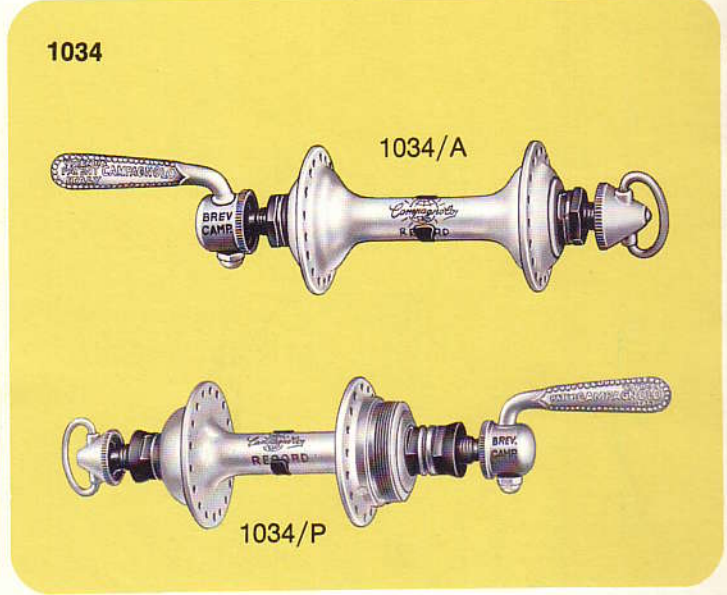
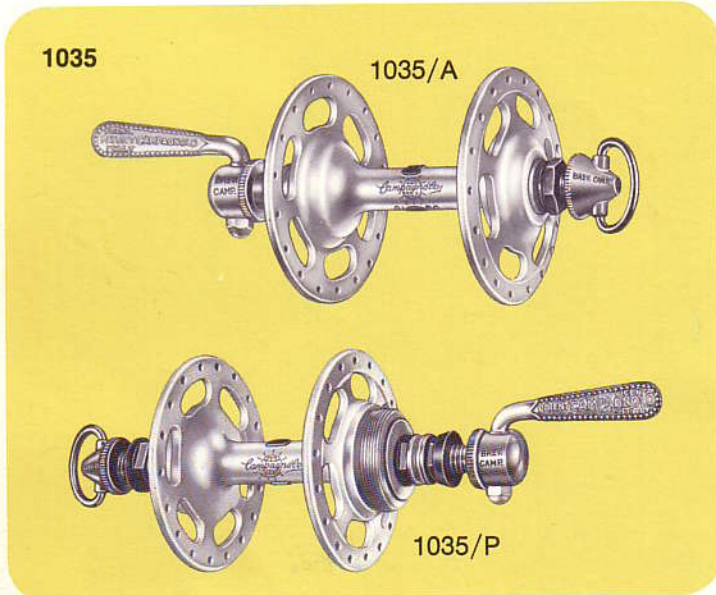
- 636 Chainstay clip
- 660 Braze-on boss
- 661 Brazed boss collar
- 663 Braze-on cable ferrule
- 777 Nut
- 1012/3 Handlebar control
- 1013/1 Right hand down tube control
- 1013/5 Front changer braze-on control
- 1013/6 Gear braze-on control
- 1014 Twin down tube control lever
- 1014/1 Twin down tube control lever with pump holder



PARTICULAR COMPONENTS OF CAMPAGNOLO RECORD ROAD GROUP 1032/F

- 1034** Pair Record small flange quick release[®] road hubs (front width 100 mm. - rear width 120 mm., flanges with 36 holes, thread \varnothing 35 x 24F.). Upon request furnished with rear hub suitable for 6 sprockets, width 125 mm., flanges with 24 - 28 - 32 - 40 holes, thread \varnothing 34,7 x 1M. or \varnothing 1,370" x 24 Tpi-BSC
- 1034/A** Record road small flange front hub
- 1034/P** Record road small flange rear hub

- 1035** Pair Record large flange quick release road hubs (front width 100 mm. - rear width 120 mm., flanges with 36 holes, thread \varnothing 35 x 24F.). Upon request furnished with rear hub suitable for 6 sprockets, width 125 mm., flanges with 24 - 28 - 32 - 40 holes, thread \varnothing 34,7 x 1M. or \varnothing 1,370" x 24 Tpi-BSC
- 1035/A** Record road large flange front hub
- 1035/P** Record road large flange rear hub



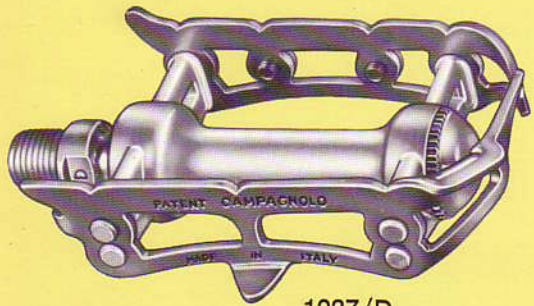
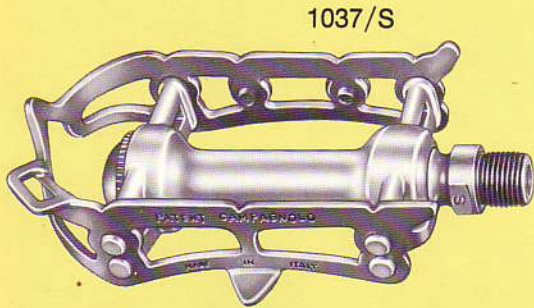
- 1** Front lock nut
- 18** Conical spring
- 19** Front hollow axle
- 25/R** Front cone
- 29/R** Rear hollow axle (129 mm. long). Upon request are furnished spindles 132 - 134 and 140 mm. long
- 32/R** Rear cone
- 33** Rear lock nut
- 35** Front hub lock washer
- 36** Rear hub lock washer
- 46** Rear spacing collar
- 59** Quick release conical adjuster
- 60** Quick release cap
- 61** Quick release lever
- 61/1** Domed nut
- 61/2** Grower washer
- 64** Quick release front skewer
- 65** Quick release rear skewer
- 737** Front ball cup
- 738** Rear ball cup
- 739** Front dust cover
- 740** Rear dust cover
- 741** Spring clip
- 1001/3** Complete front quick release skewer for Record hub
- 1001/4S** Complete front axle for Record road hub
- 1006/5S** Complete rear axle for Record road hub
- 1006/8** Complete rear quick release skewer for Record hub
- 2104** Set (9+9) special \varnothing 7/32" balls selected with 1/1000 of mm. tolerance
- 2106** Set (9+9) special \varnothing 1/4" balls selected with 1/1000 of mm. tolerance

PARTICULAR COMPONENTS OF CAMPAGNOLO RECORD ROAD GROUP 1032/F

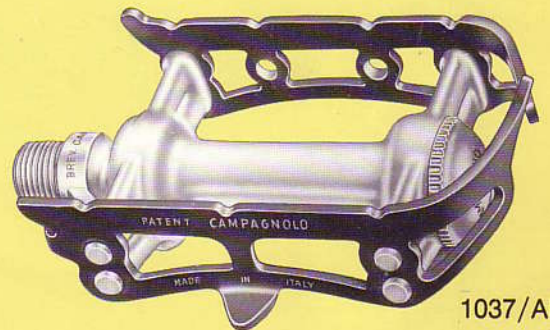
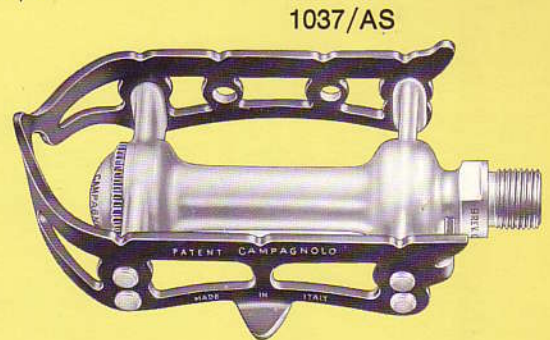
- 1037 Pair Record road pedals (spindle thread \varnothing 9/16" x 20F.). Upon request are furnished threaded M.14 x 1,25
- 1037/D Record road right hand pedal
- 1037/S Record road left hand pedal
- 1037/A Pair superlight Record road pedals
- 1037/AD Superlight Record road right hand pedal
- 1037/AS Superlight Record road left hand pedal
- 89 Locking screw for superlight pedal
- 669 Left hand pedal axle with thread \varnothing 9/16" x 20F. Upon request are furnished with

- thread M.14 x 1,25
- 670 Right hand pedal axle with thread \varnothing 9/16" x 20F. Upon request are furnished with thread M.14 x 1,25
- 672 Inserted race (available also in oversize)
- 673 Pedal axle washer
- 674 Pedal axle cone
- 675 Pedal axle lock nut
- 676 Toe clip bolt
- 677 Toe clip washer
- 678 Inner dust cap
- 679 Record pedal dust cap
- 679/A Superlight pedal dust cap
- 2103 Set (48) special \varnothing 5/32" pedal balls selected with 1/1000 of mm. tolerance

1037



1037/A

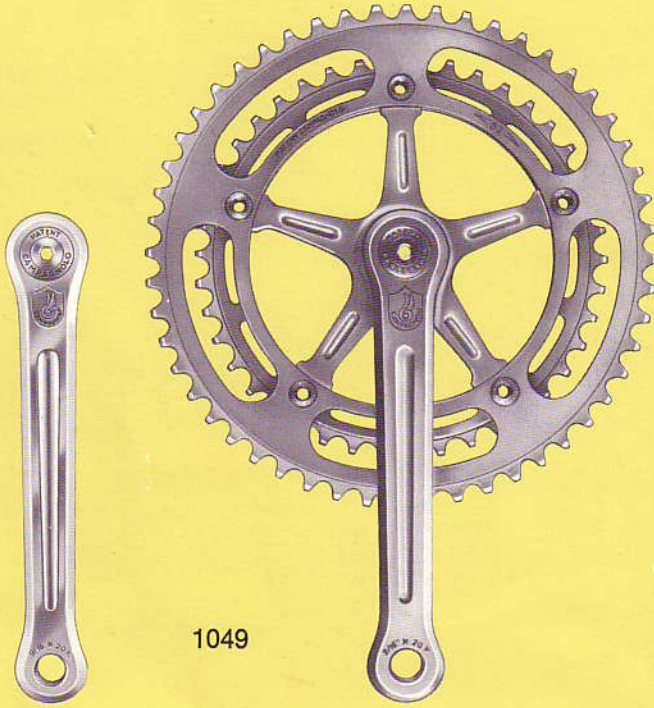


PARTICULAR COMPONENTS OF CAMPAGNOLO RECORD ROAD GROUP 1032/F

- 1048 Record road chainwheel set with Nuovo Record bottom bracket
- 1049 Record road chainset (with cranks 170 mm., pedal hole \varnothing 9/16" x 20F. and chainrings for chain 1/2" x 3/32" [2 mm]). Specify the number of teeth of the chainrings available from 42T to 57T. Upon request furnished cranks with lengths 165 - 167,5 - 172,5 -

- 175 - 177,5 and 180 mm.
- 1046/A Nuovo Record bottom bracket set (bracket width 70 mm. and cups threaded \varnothing 36 x 24F.).
- 744/A Nuovo Record cotterless road spindle. See measurements and indicate spindle size
- 745/A Fixed cup. Indicate required thread
- 746/A Adjustable cup. Indicate required thread
- 747 Lockring with normal 3,5 mm.

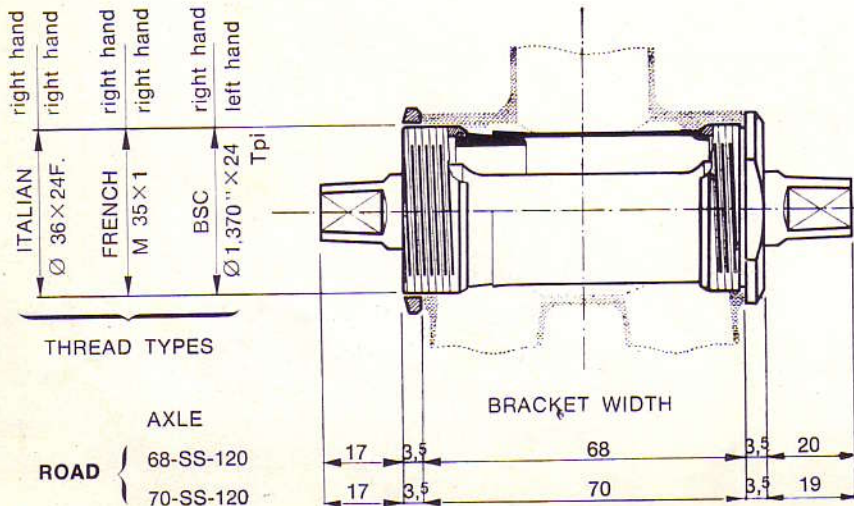
1048



1049



1046/A



Details of bracket number:

- The first number indicates the bracket width
- SS indicates road
- Number 120 indicates the suggested width of the rear hub for a perfect chain alignment (see pages 92-93)

UPON REQUEST WE SUPPLY THE CUPS WITH THREAD INCREASED BY 0,5 mm.

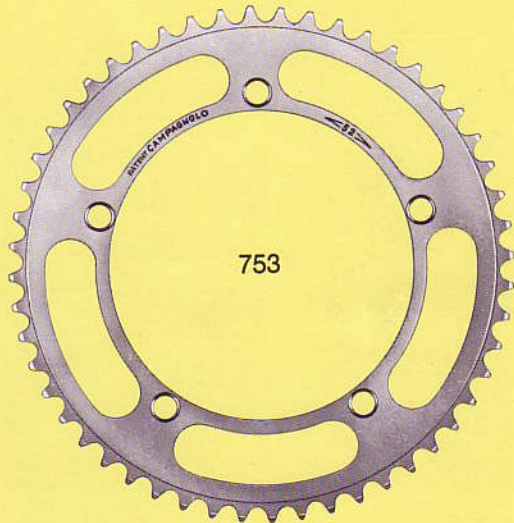
thickness (available also with 4 mm. and 4,5 mm. thickness).
 Indicate required thread
 748 Fixing screw
 749 Fixing washer
 751 Right hand road crank (complete with cover 756, 170 mm. long). Upon request are furnished in the following sizes: 165 - 167,5 - 172,5 - 175 -

752 177,5 and 180 mm. long
 Left hand road crank (complete with cover 756, 170 mm. long). Upon request are furnished in the following sizes: 165 - 167,5 - 172,5 - 175 - 177,5 and 180 mm. long
 753 Road chainring for 1/2" x 3/32" (2 mm.) chain. Specify the number of teeth available from

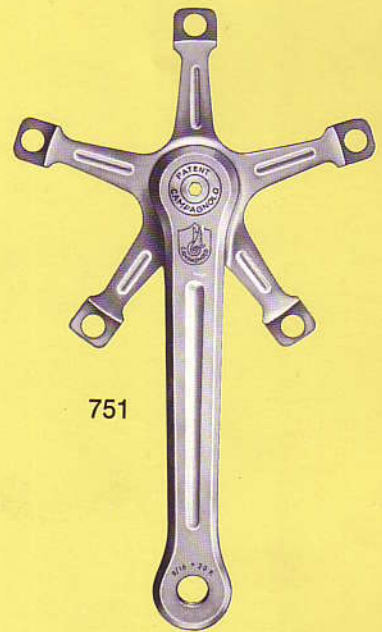
42T to 57T
 754 Road chainwheel fastening screw
 755 Road chainwheel fastening nut
 756 Crank cover plate
 801 Spacer for single chainring
 2100 Set (11+11) special \varnothing 1/4" balls selected with 1/1000 of mm. tolerance
 2110 Record sleeve
 2110/1 Cone for sleeve



752



753



751



756



755



754



801



2110/1



2110



2100



748



749



747



746/A



744/A



745/A



749



748

PARTICULAR COMPONENTS OF CAMPAGNOLO RECORD ROAD GROUP 1032/F

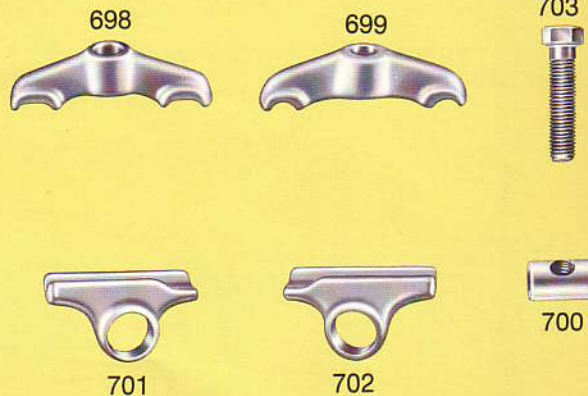
- 1039 Record road head set thread 25,4 x 24F.). Upon request are furnished with thread \varnothing 25 x 1M. or 1" x 24 Tpi-BSC
- 681 Locking nut (specify type of threading)
- 682 Locking washer
- 683 Screwed road race (specify type of threading)
- 684 Road top head race (0,5 mm. larger gauge available)
- 685 Road bottom head race (0,5 mm. larger gauge available)
- 686 Road crown race (smaller diameter available)
- 2101 Set bearings with (20+20) special b/b \varnothing 3/16" balls selected with 1/1000 of mm. tolerance

1039



1044

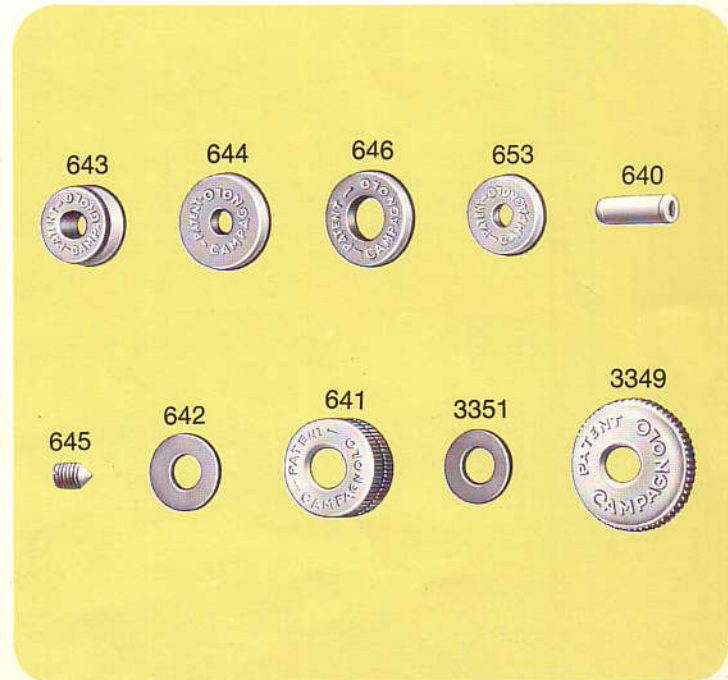
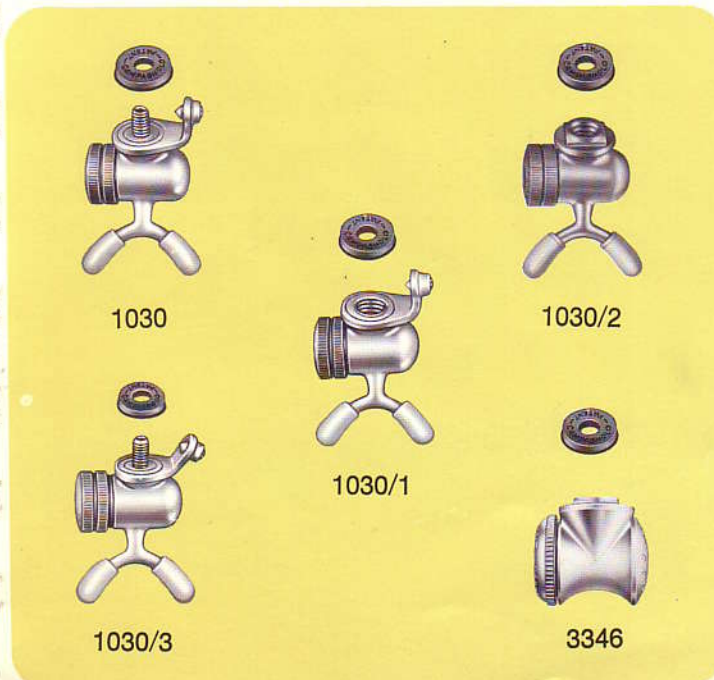
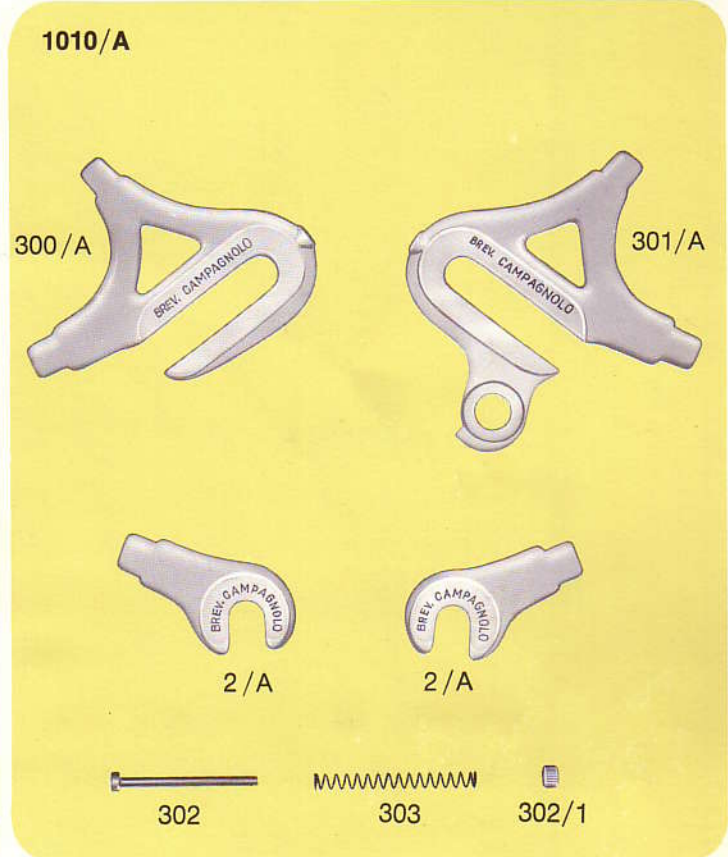
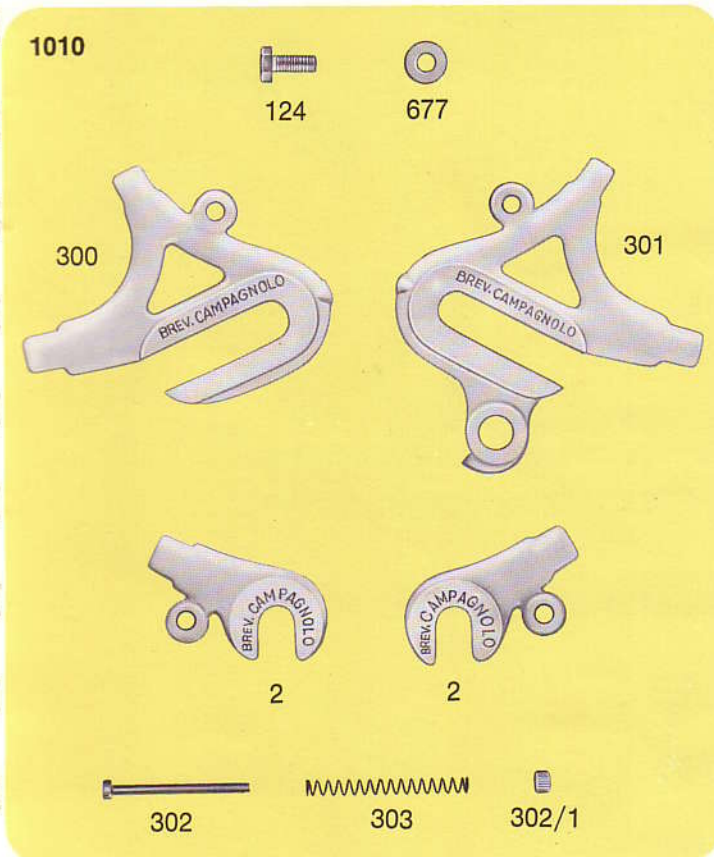
- 1044 Seat pin. Specify diameter stem: 25 - 25,8 - 26 - 26,2 - 26,4 - 26,6 - 26,8 - 27 - 27,2 - 27,4 mm. and if pin length in 130 mm. normal or in 180 mm. long
- 698 Front bracket
- 699 Rear bracket
- 700 Bolt nut
- 701 Left hand side support
- 702 Right hand side support
- 703 Fixing and adjusting bolt



PARTICULAR COMPONENTS OF CAMPAGNOLO RECORD ROAD GROUP 1032/F

- 1010 Set Record front and rear fork ends
- 1010/A Set Record front and rear fork ends without eyelet
- 2 Record right and left hand fork ends
- 2/A Record right and left hand fork ends without eyelet
- 124 Fixing screw
- 300 Record left hand rear end
- 300/A Record left hand rear end without eyelet
- 301 Record right hand rear end
- 301/A Record right hand rear end without eyelet
- 302 Adjusting bolt
- 302/1 Nut for bolt 302
- 303 Adjusting bolt spring
- 640 Rubber cap
- 641 Milled nut
- 642 Rubber washer
- 643 Rubber washer for tubular valves

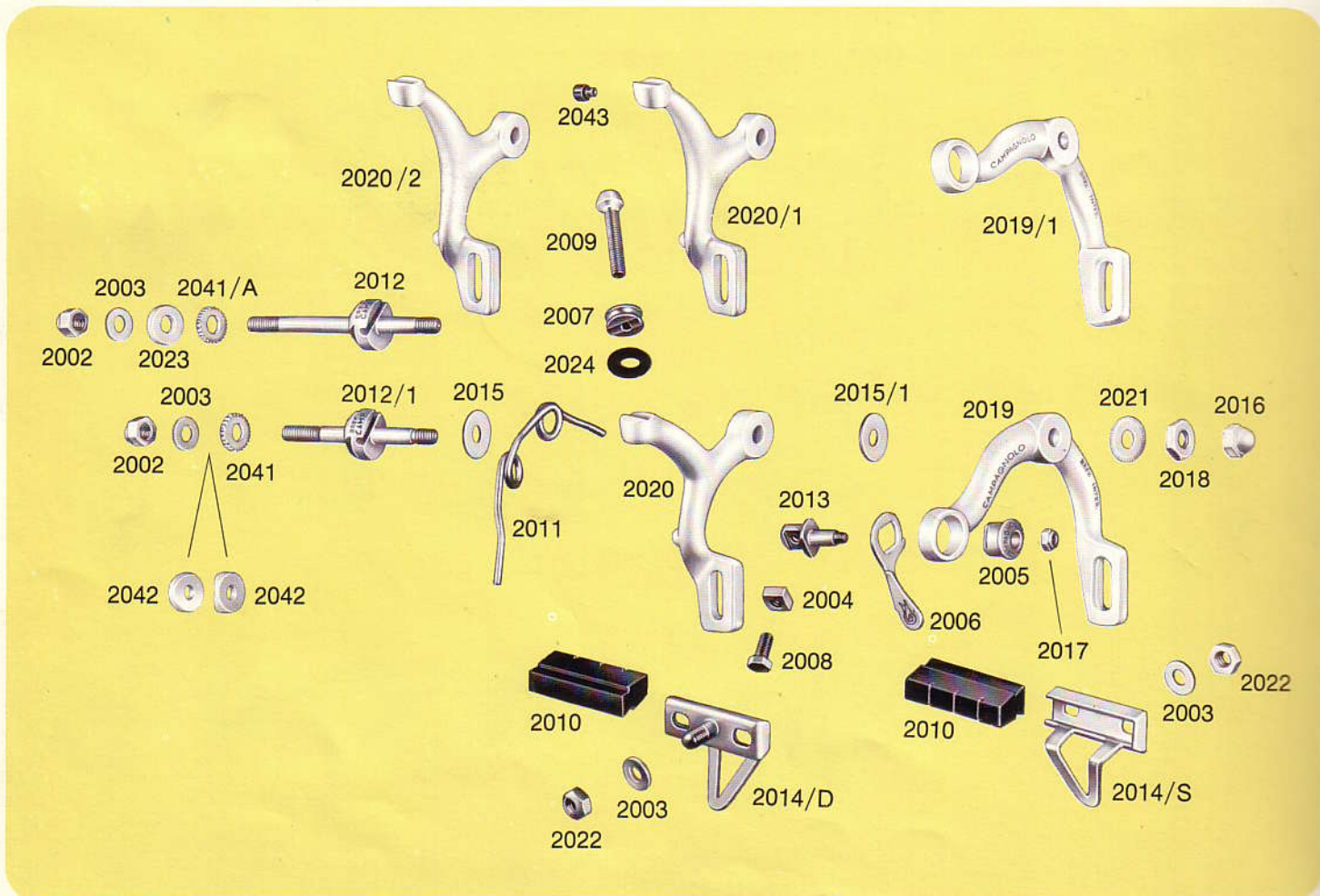
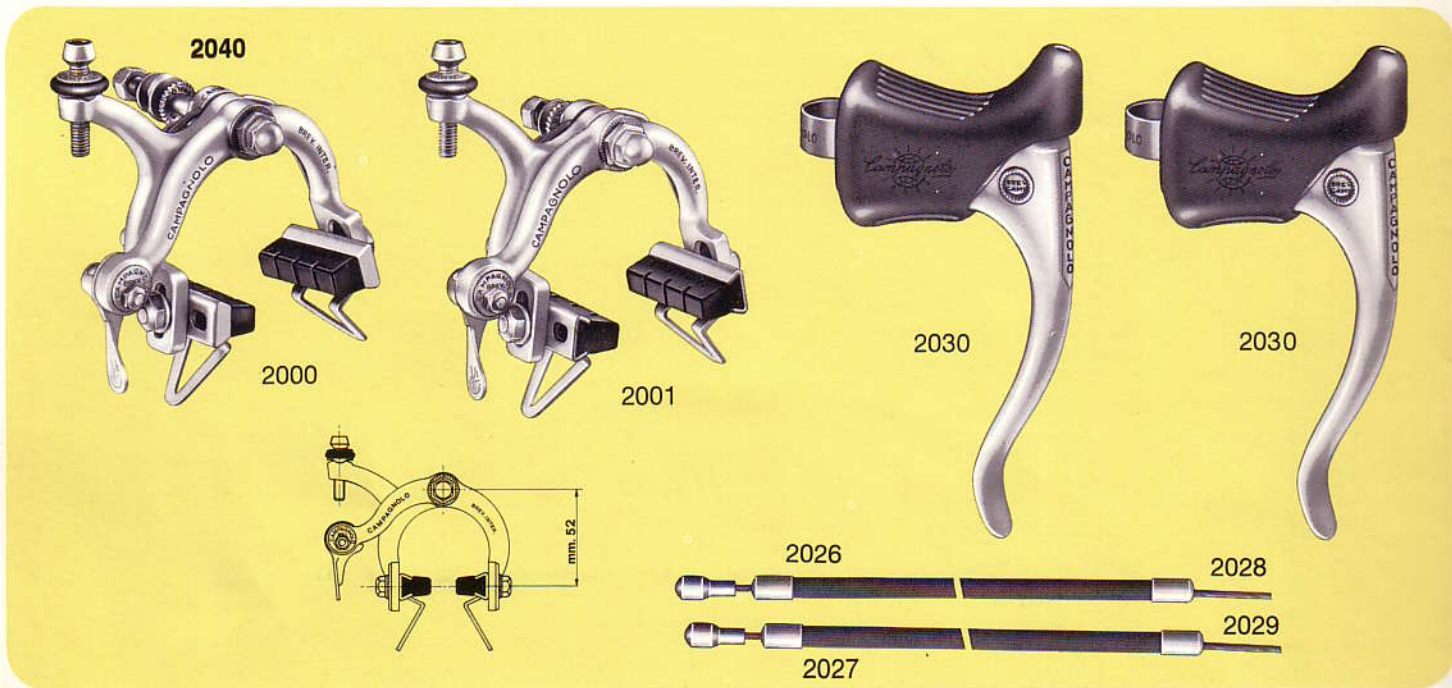
- 644 Rubber washer for pump connector 1030
- 645 Connecting screw
- 646 Rubber washer for pump connectors 1030/1 and 1030/2
- 653 Rubber washer for pump connector 1030/3
- 677 Washer
- 1030 Pump connector with $\varnothing 7/32''$ or M7 x 1 locking screw
- 1030/1 Pump connector with M9 x 1,25 locking screw
- 1030/2 Pump connector with M9 x 1,25 locking screw
- 1030/3 Pump connector with M5 x 1 or M7 x 1 locking screw (French type)
- 3346 Superlight pump connector with M9 x 1,25 locking screw
- 3349 Cover for superlight pump connector
- 3351 Washer for superlight pump connector



PARTICULAR COMPONENTS OF CAMPAGNOLO RECORD ROAD GROUP 1032/F

- 2040 Set Record brakes
- 2040/1 Set Record small brakes
- 2030 Brake lever
- 2000 Front brake
- 2000/1 Small front brake
- 2001 Rear brake
- 2001/1 Small rear brake
- 2002 Center bolt fixing nut
- 2003 Washer
- 2004 Clamp bolt washer
- 2005 Cam

- 2006 Quick release cam lever
- 2007 Adjusting nut
- 2008 Cable clamp bolt
- 2009 Adjusting screw
- 2010 Brake block
- 2011 Tension spring
- 2012 Front brake center bolt
- 2012/1 Rear brake center bolt
- 2013 Cable clamp
- 2014/D Right hand brake shoe
- 2014/S Left hand brake shoe



- 2015 Friction washer
- 2015/1 Inner friction washer
- 2016 Domed nut
- 2017 Cam locking nut
- 2018 Locking nut
- 2019 Stirrup arm
- 2019/1 Small brake front stirrup
- 2020 Rear stirrup
- 2020/1 Small front brake rear stirrup
- 2020/2 Small rear brake rear stirrup
- 2021 Milled washer

- 2022 Brake shoe nut
- 2023 Concave washer for front brake
- 2024 Adjusting rubber
- 2026 Front brake outer casing (61 cm.)
- 2027 Rear brake outer casing (119 cm.)
- 2028 Front inner cable (73 cm.)
- 2029 Rear inner cable (131 cm.)
- 2031 Lever hood
- 2032 Lever control (complete with cable holder 2035)
- 2033 Brake lever clip

- 2034 Lever pivot pin
- 2036 Grub screw
- 2037 Clamp nut
- 2038 Lever bush
- 2039 Rubber lever hood
- 2041 Serrated washer for rear brake
- 2041/A Serrated washer for front brake
- 2042 Concave washer for rear brake. (Upon request is furnished for round breast band)
- 2043 Lever rubber for small brake

